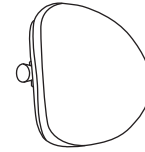
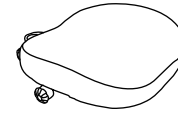


Ergonomic Kids Chair

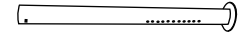
ASSEMBLY INSTRUCTIONS



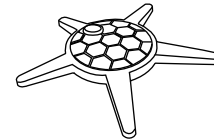
B1X1



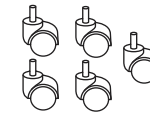
B2X1



B3X1



B4X1



B5X5



B6X1



A1X4



A2X4

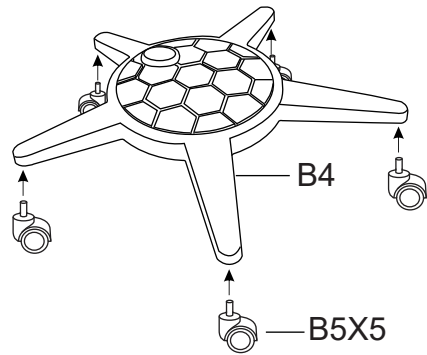


A3X1

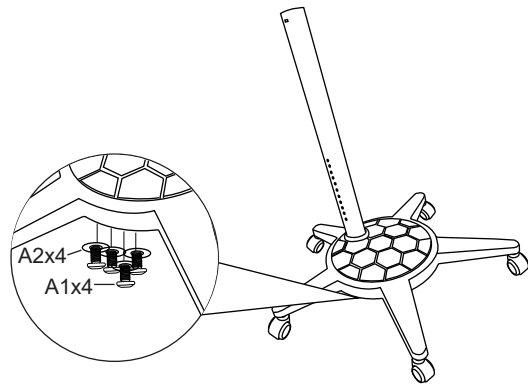
CAUTION!

1. For indoor use only.
2. This product should be placed on a flat surface.
3. Please immediately wipe clean the chair surface if any liquid is splashed on it.
4. Please check screws regularly to ensure there are no loose parts during daily use.
5. Only tightly fasten all the screws once the chair has been assembled properly.
6. Don't put the product near the corrosive gas or moisture.
7. Don't play on the chair to avoid falls.

1

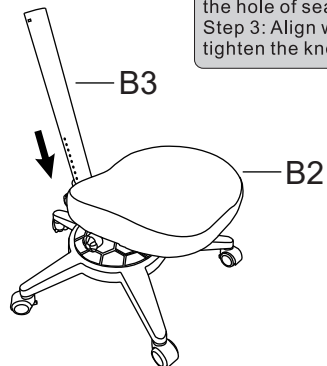


2

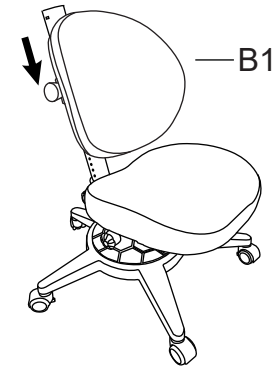


3

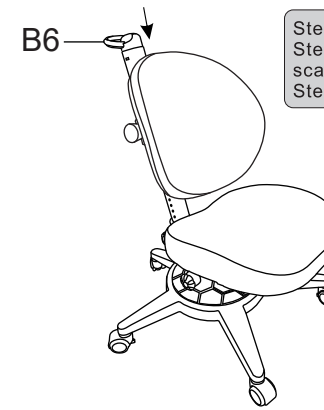
Step 1: Loosen the knob on the seat (B2).
 Step 2: Insert the support frame (B3) into the hole of seat (B2).
 Step 3: Align with the scale line then tighten the knob.



4

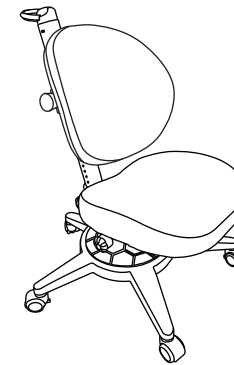


5



Step 1: Loosen the knob on the backrest (B1).
 Step 2: Make the backrest (B1) align with the scale line to a suitable height.
 Step 3: Tighten the knob.

6



How to adjust the height of the backrest

Loosen the knob of the backrest, adjust the backrest to the desired height, then tighten the knob.

How to adjust the height of seat

Loosen the knob on the seat, adjust the seat to the desired height, then tighten it. (Please ensure the height align with the scale line.)